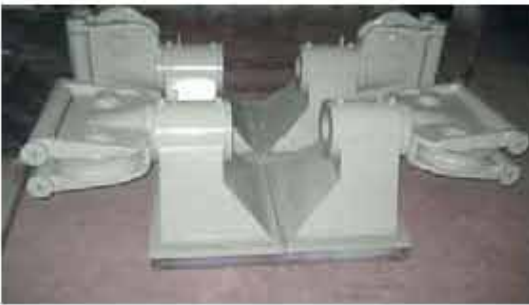


ManHole Marine Door and Hatches

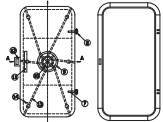




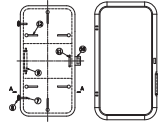


Contents

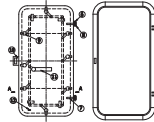
>> Marine Door and Hatches



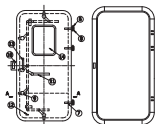
Quick Acting Watertight Door /Quick Closing Dog Arm Type/1



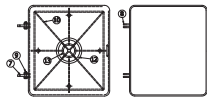
Watertight Door-Dog Clipped Type/2



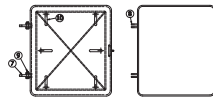
Quick Closing Mechanism C/W Lever/3



Quick Closing Mechanism Lever Type C/W Viewing Panel/4



Watertight Hatch -Dog Clipped Type/5



Watertight Hatch-Dog Arm Handwheel Type/6

>> ManHole



Multi-bolt Manhole, Round , Abreast Hexagon Head Screws/7



Multi-bolt Manhole, Round , Outeredge Hexagon Head Screws/7



Multi-bolt Manhole, Round, Outeredge Countersunk Head Screws/8



Multi-bolt Manhole, Clean-Out Hatch, Raised/Thru Bolt/Round/8



Multi-bolt Manhole, Oval, Abreast Hexagon Head Screws/9



Multi-bolt Manhole, Flush, Thru Bolted, Oval/9



Multi-bolt Manhole, Flush, Socket Head Flush Screw, Oval/10



Multi-bolt Manhole, Flush , Stud Welded, Oval/10



Multi-bolt Manhole, Raised, Thru Bolted, Oval/11



Multi-bolt Manhole, Oval, Blind , Socket Head Flush Screw/11

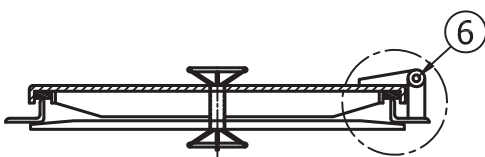
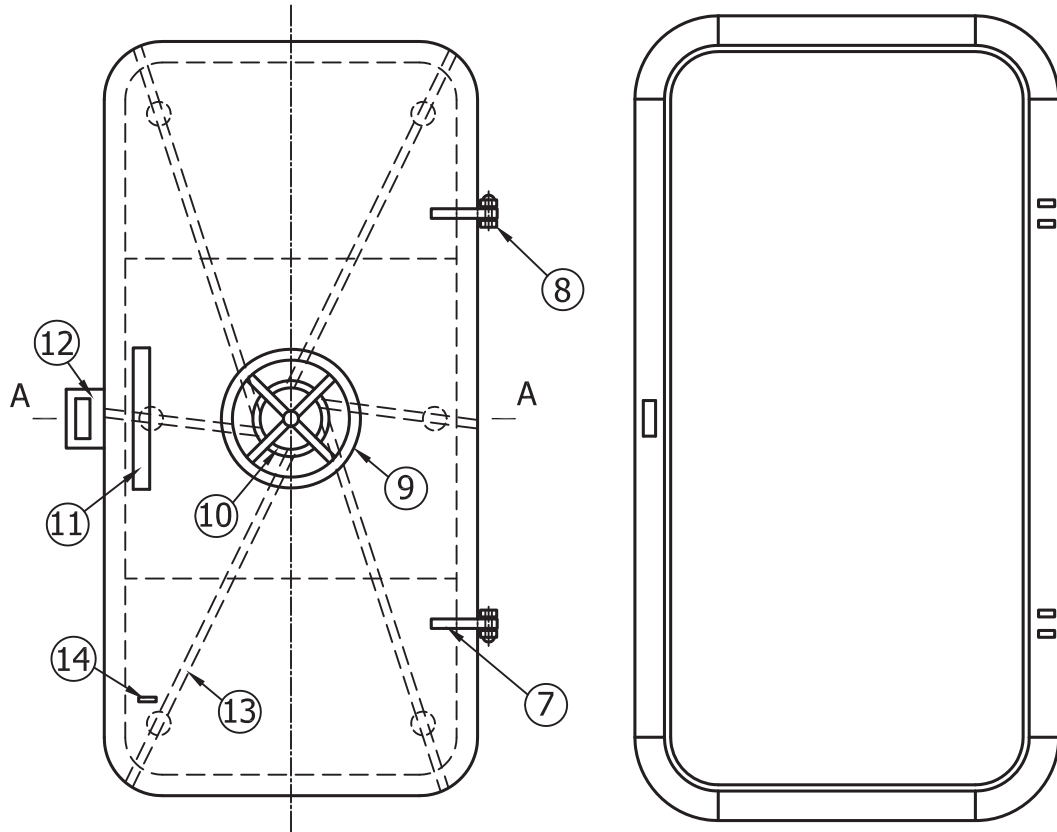


Manhole Central Closed Flush/12

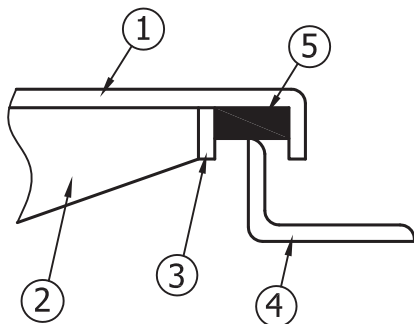
Marine Door and Hatches



Quick Acting Watertight Door/Quick Closing Dog Arm Type

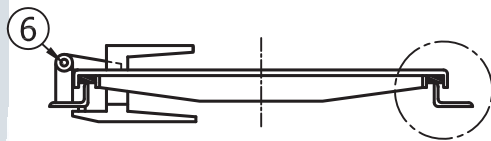
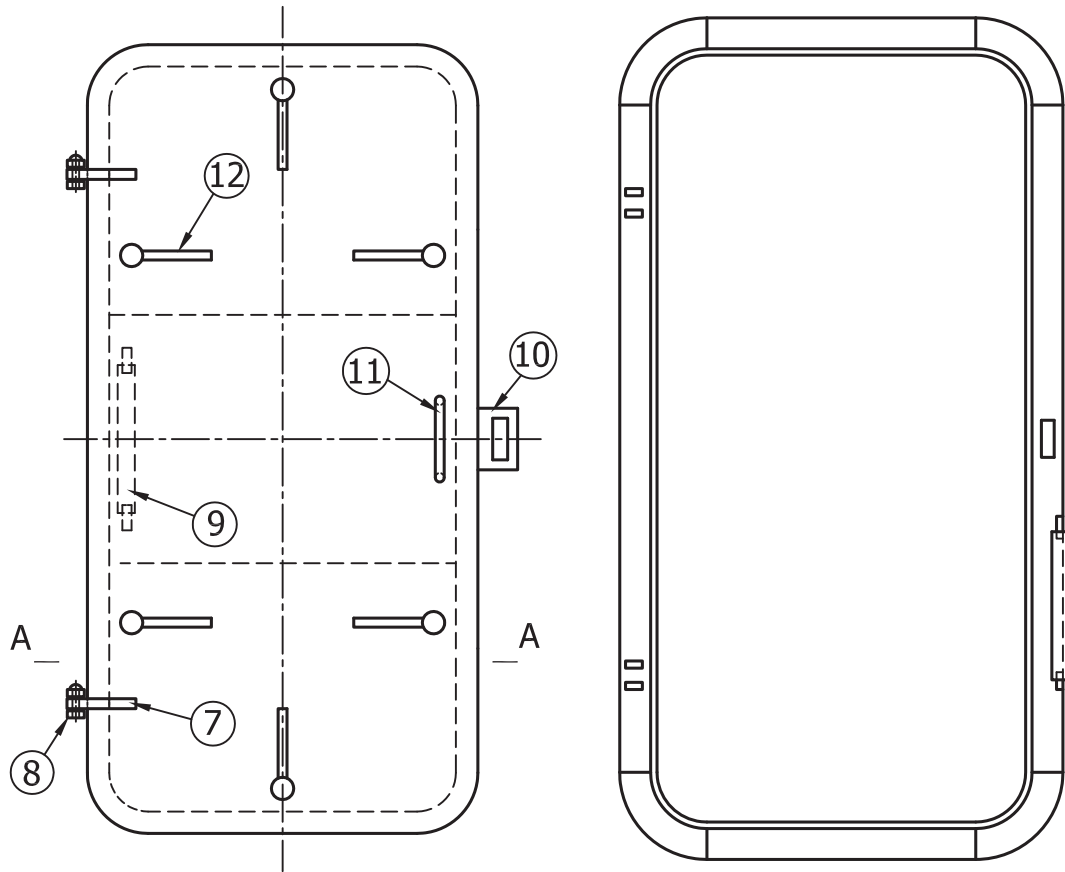


A-A

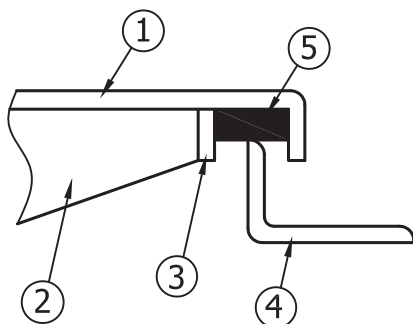


14	Eye	1	Mild Steel	Round Bar $\varnothing 6$
13	Dog Arm	6	SUS 304	Round Bar $\varnothing 16$
12	Hasp	1	Mild Steel	Plate 6mm THK
11	Hand Grip	2	Mild Steel	Round Bar $\varnothing 16$
10	Spider Plate	1	SUS 304	Plate 4mm THK
9	Hand Wheel	2	SUS 304	Round Bar $\varnothing 19$
8	Female Hinge	4	Mild Steel	Plate 12mm THK
7	Male Hinge	2	Mild Steel	Plate 30mm THK
6	Hinge Pin	2	SUS 304	hexagon Blot M19
5	Gasket	1	Neoprene	35*15
4	Frame Coaming	1	Mild Steel	Angle Bar 75*50*8
3	Retainer	1	Mild Steel	Flat Bar 25*6 THK
2	stiffener	2	Mild Steel	Flat Bar 50*6 THK
1	Door leaf	1	Mild Steel	Plate 8mm THK
POS.	Description	Qty.	Material	Remarks

Watertight Door-Dog Clipped Type

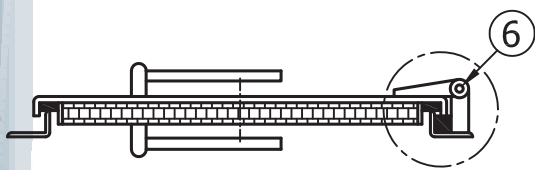
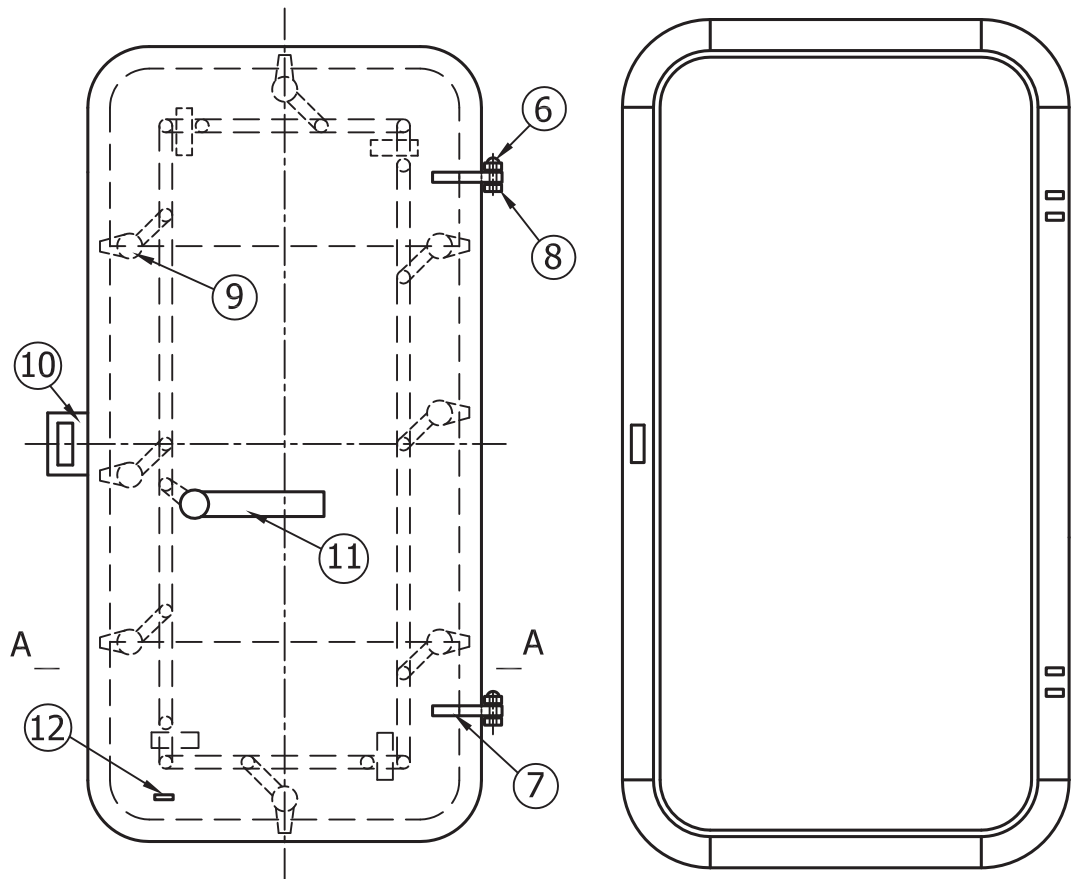


A-A

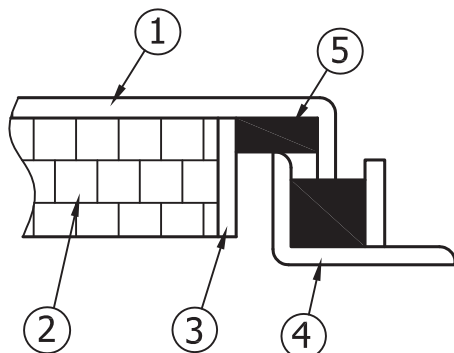


12	Dog Clamp	1	Forged Steel	
11	Hand Grip	2	Mild Steel	Round Bar $\varnothing 16$
10	Hasp	1	Mild Steel	Flat Bar 6/ R Bar $\varnothing 9\text{mm}$
9	Spanner	2	Mild Steel	Gpipe $\varnothing 34*300\text{LG}$
8	Female Hinge	4	Mild Steel	Plate 12mm THK
7	Male Hinge	2	Mild Steel	Plate 30mm THK
6	Hinge Pin	2	Galvd	hexagon Blot M19
5	Gasket	1	Neoprene	35*15
4	Frame Coaming	1	Mild Steel	Angle Bar 75*50*8
3	Retainer	1	Mild Steel	Flat Bar 25*6 THK
2	stiffener	2	Mild Steel	Flat Bar 50*6 THK
1	Door leaf	1	Mild Steel	Plate 6mm THK
POS.	Description	Qty.	Material	Remarks

Quick Closing Mechanism C/W Lever

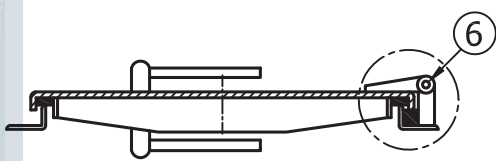
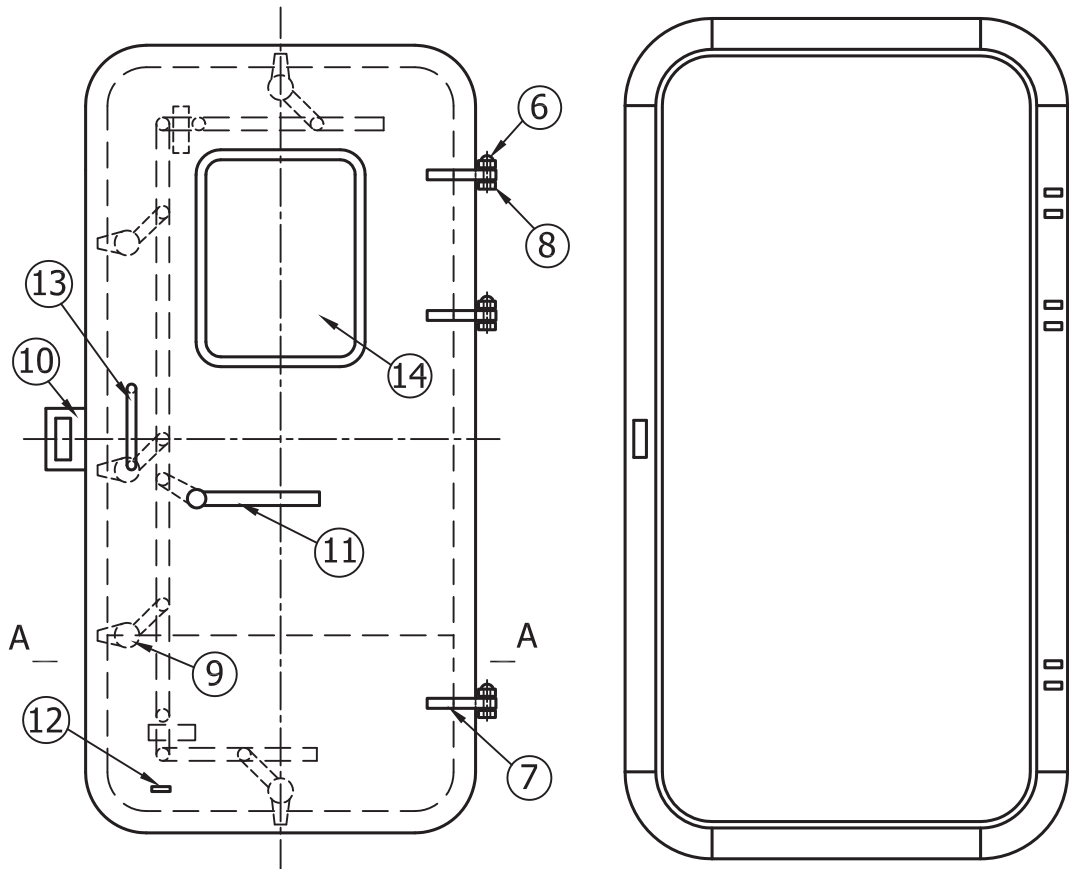


A-A

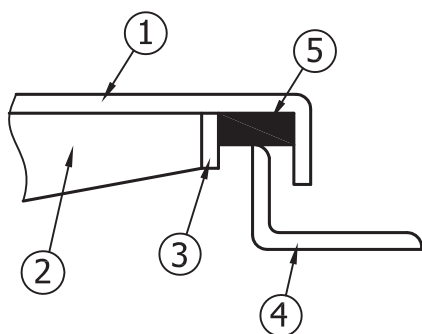


12	Eye	1	Mild Steel	Round Bar $\varnothing 6$
11	Lever	2	Mild Steel	
10	Hasp	1	Mild Steel	Plate 8mm THK
9	Clip	8	Mild Steel	Plate 10mm THK
8	Female Hinge	4	Mild Steel	Plate 12mm THK
7	Male Hinge	2	Mild Steel	Plate 30mm THK
6	Hinge Pin	2	SUS 304	Hexagon Blot M20
5	Gasket	1	Neoprene	35*15 THK
4	Frame Coaming	1	Mild Steel	Angle Bar 75*50*8
3	Retainer	1	Mild Steel	Flat Bar 25*6 THK
2	stiffener	2	Mild Steel	Flat Bar 50*6 THK
1	Door leaf	1	Mild Steel	Plate 6mm THK
POS.	Description	Qty.	Material	Remarks

Quick Closing Mechanism Lever Type C/W Viewing Panel

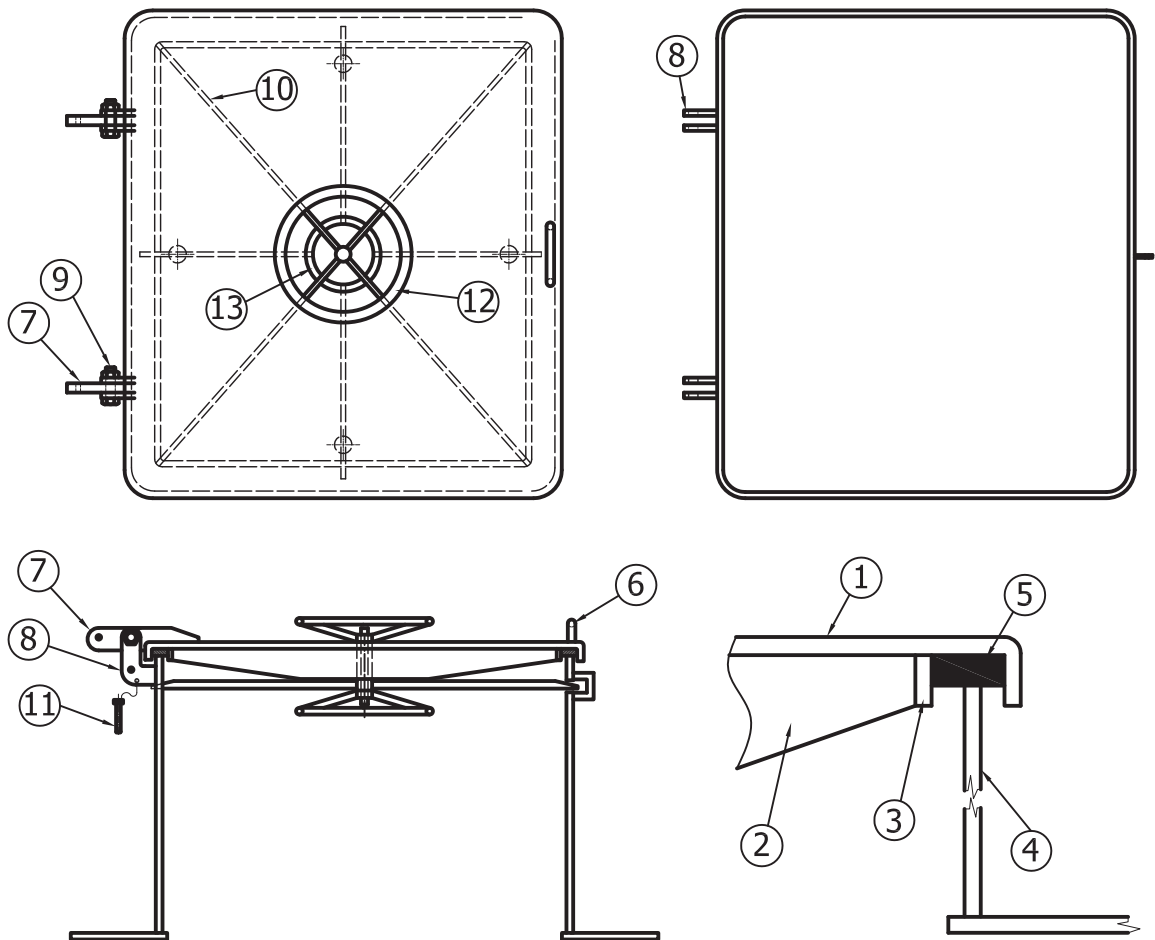


A-A



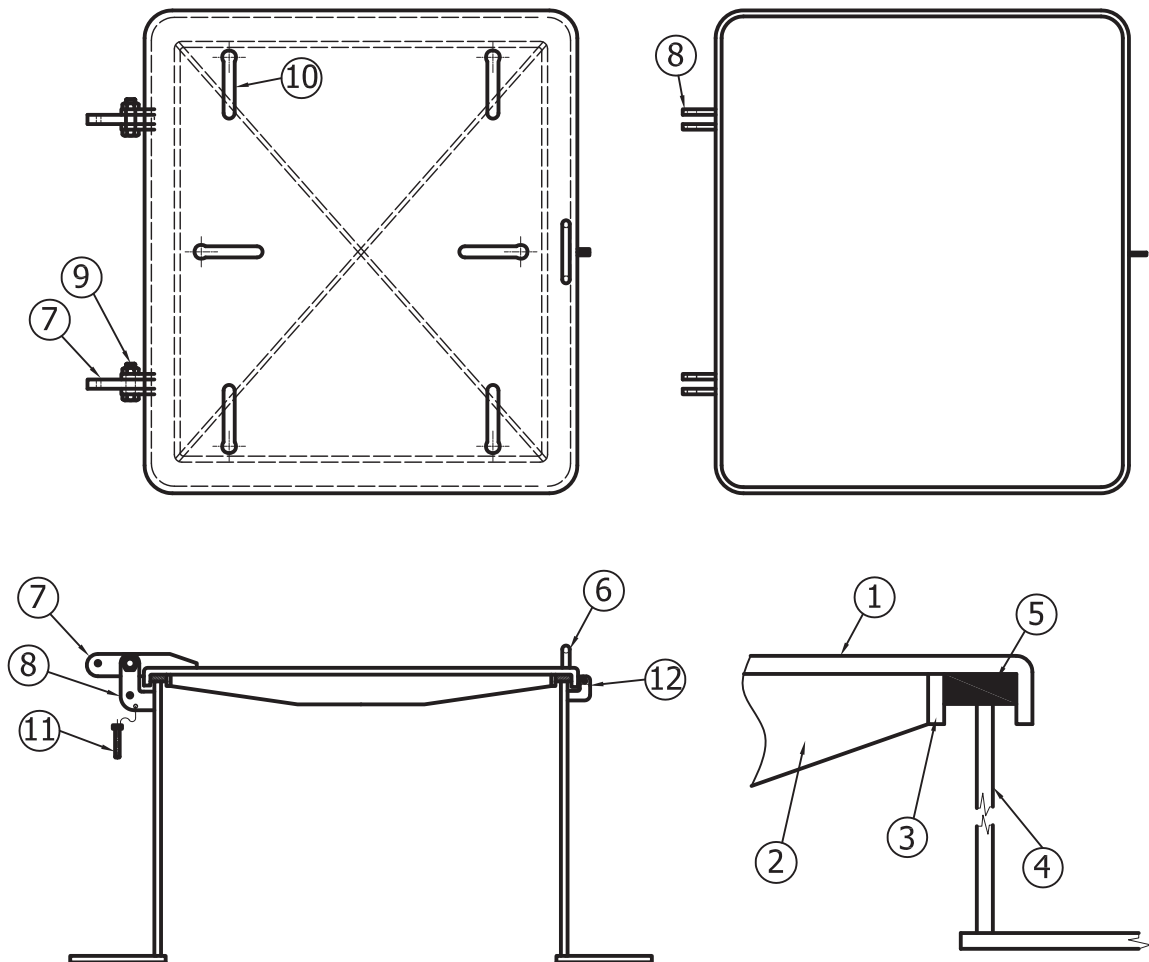
14	Windows	1		
13	Hand Grip	2	SUS 304	Round Bar $\varnothing 16$
12	Eye	1	Mild Steel	Round Bar $\varnothing 6$
11	Handle	2	SUS 304	Pipe
10	Hasp	1	Mild Steel	Plate 8mm THK
9	Clamp	5	Mild Steel	Plate 10mm THK
8	Female Hinge	4	Mild Steel	Plate 12mm THK
7	Male Hinge	2	Mild Steel	Plate 30mm THK
6	Hinge Pin	2	Galvd	hexagon Blot M19
5	Gasket	1	Neoprene	35*15 THK
4	Frame Coaming	1	Mild Steel	Angle Bar 75*50*8
3	Retainer	1	Mild Steel	Flat Bar 25*6 THK
2	stiffener	2	Mild Steel	Flat Bar 50*6 THK
1	Door leaf	1	Mild Steel	Plate 6mm THK
POS.	Description	Qty.	Material	Remarks

Watertight Hatch-Dog Clipped Type



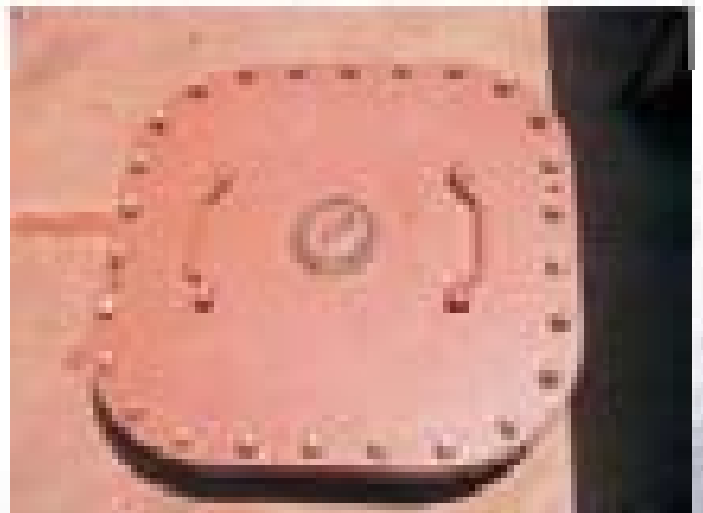
13	Spider Plate	2	SUS 304	Plate 4mm THK
12	Hand Wheel	2	SUS 304	Round Bar \varnothing 16
11	Toggle Pin	1	SUS304	Round Bar \varnothing 18*50LG
10	Dog Arm	6	SUS 304	Round Bar \varnothing 16
9	Hinge Pin	2	SUS304	HexBolt M20*80LG
8	Female Hinge	4	Mild Steel	Plate 12mm THK
7	Male Hinge	2	Mild Steel	Plate 20mm THK
6	Hand Grip	1	Mild Steel	Round Bar \varnothing 16
5	Gasket	1	Neoprene	35*15
4	Frame Coaming	1	Mild Steel	Plate 10 THK
3	Retainer	1	Mild Steel	Flat Bar 25*10 THK
2	Stiffener	2	Mild Steel	Flat Bar 65*10 THK
1	Cover	1	Mild Steel	Plate 8mm THK
POS.	Description	Qty.	Material	Remarks

Watertight Hatch-Dog Arm Handwheel Type

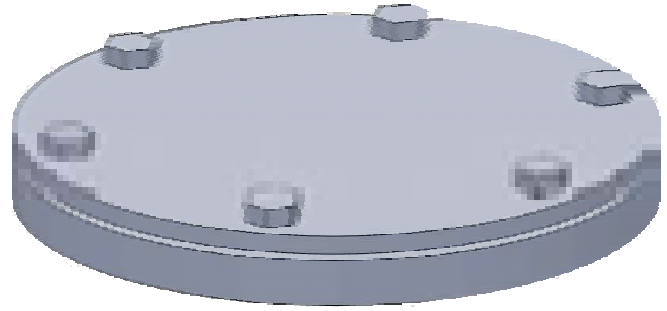
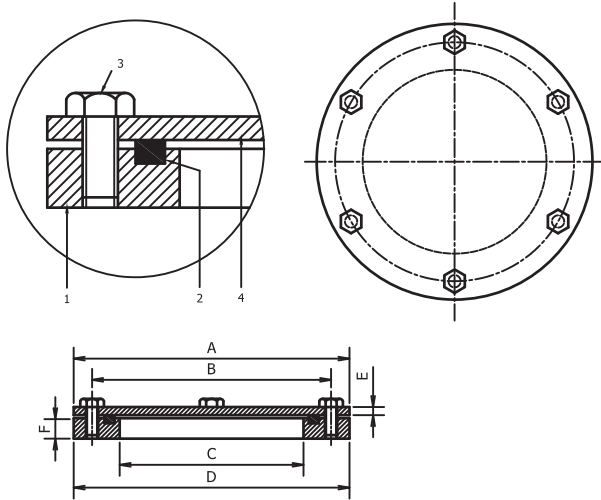


12	Hasp	2	Mild Steel	Flat Bar 38*6THK
11	Toggle Pin	1	SUS304	Round Bar \varnothing 18*50LG
10	Dog Clamp	6	Forged Steel	
9	Hinge Pin	2	SUS304	HexBolt M20*80LG
8	Female Hinge	4	Mild Steel	Plate 12mm THK
7	Male Hinge	2	Mild Steel	Plate 20mm THK
6	Hand Grip	1	Mild Steel	Round Bar \varnothing 16
5	Gasket	1	Neoprene	35*15
4	Frame Coaming	1	Mild Steel	Plate 10 THK
3	Retainer	1	Mild Steel	Flat Bar 25*10 THK
2	Stiffener	2	Mild Steel	Flat Bar 65*10 THK
1	Cover	1	Mild Steel	Plate 8mm THK
POS.	Description	Qty.	Material	Remarks

ManHole



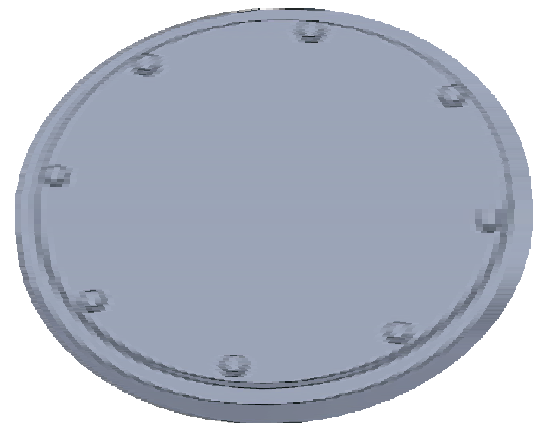
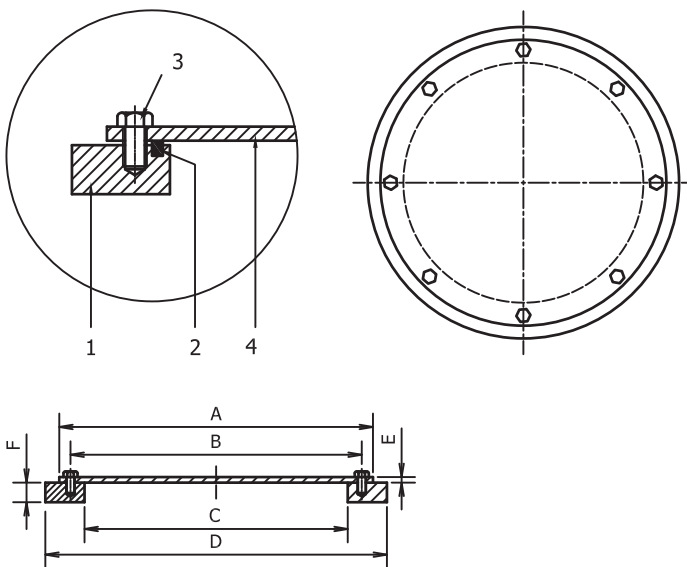
Multi-bolt Manhole, Round, Abreast Hexagon Head Screws



4	Cover	Steel
3	Bolt	See Matirx
2	Gasket	Buna
1	Deck Ring	Steel
Pos.	Description	Material

TYPE	Size	Drawing	Bolt Type	Bolt Size/Qty	Bolt Length	A	B	C	D	E	F	H	Bolt Stud	Nut	Washer	Gasket	Handle
MHA-01	180	YPL180-00T6N	hexagon	M12/6	25	270	234	180	270	8	20		steel-8.8			nitril	N
MHA-02	260	YPL260-00T7N	hexagon	M12/6	25	350	314	260	350	8	20		steel-8.8			nitril	N
MHA-03	370	YPL370-00T8N	hexagon	M12/12	30	460	420	370	460	10	25		steel-8.8			nitril	N
MHA-04	470	YPL470-00T9N	hexagon	M16/8	30	560	520	470	560	10	25		steel-8.8			nitril	N

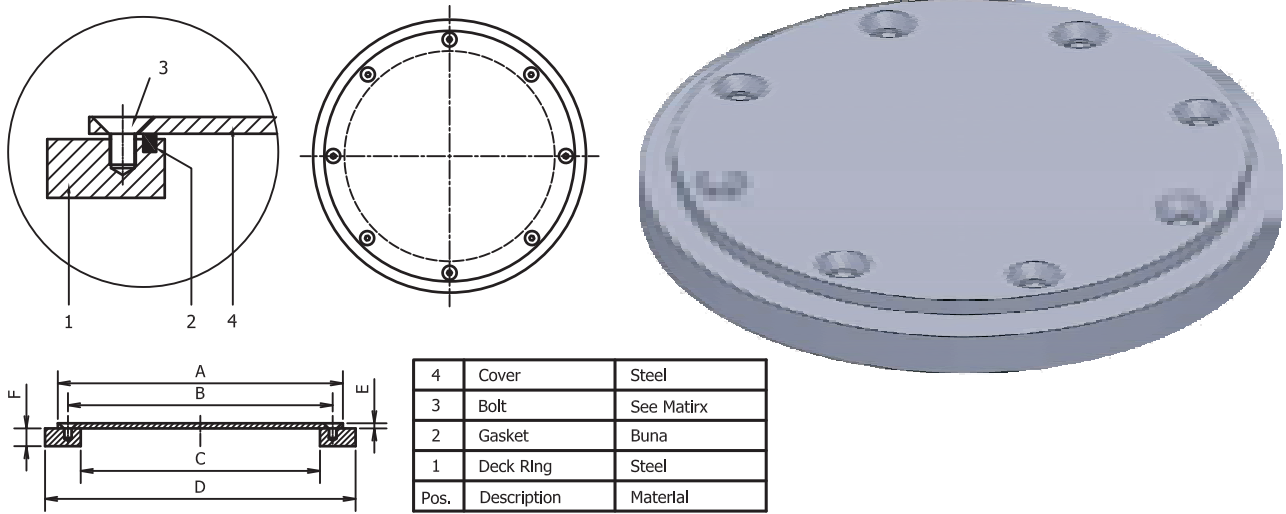
Multi-bolt Manhole, Round, Outeredge Hexagon Head Screws



4	Cover	Steel
3	Bolt	See Matirx
2	Gasket	Buna
1	Deck Ring	Steel
Pos.	Description	Material

TYPE	Size	Drawing	Bolt Type	Bolt Size/Qty	Bolt Length	A	B	C	D	E	F	H	Bolt Stud	Nut	Washer	Gasket	Handle
MHB-01	470	YYL470-00T8N	hexagon	M16/8	30	560	520	470	610	10	35		steel-8.8			nitril	N

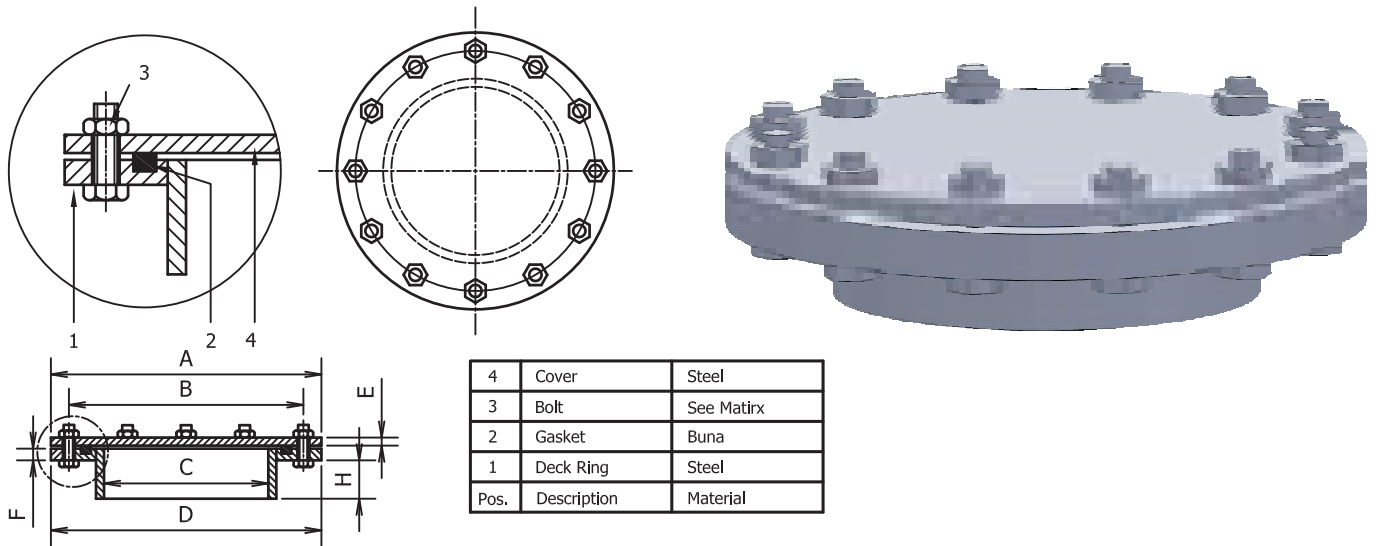
Multi-bolt Manhole, Round, Outeredge Countersunk Head Screws



图号	A	B	C	D	E	F	G
SMHO15661B	560	520	470	610	10	25	45

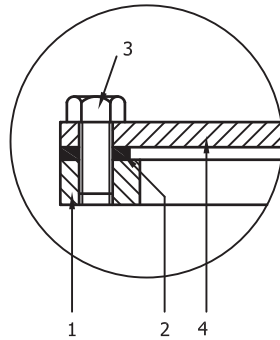
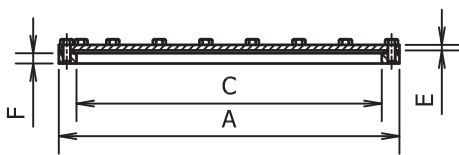
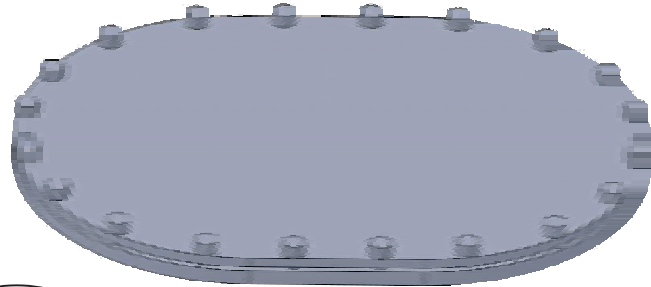
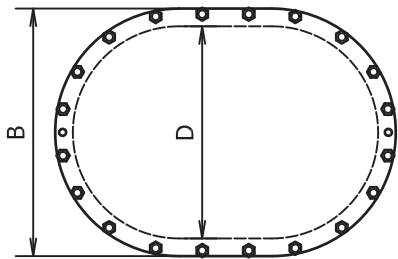
TYPE	Size	Drawing	Bolt Type	Bolt Size/Qty	Bolt Length	A	B	C	D	E	F	H	Bolt Stud	Nut	Washer	Gasket	Handle
MHC-01	470	YYL470-00T8N	hexagon	M16/8	30	560	520	470	610	10	35		steel-8.8			nitril	N

Multi-bolt Manhole, Clean-Out Hatch, Raised/Thru Bolt/Round



TYPE	Size	Drawing	Bolt Type	Bolt Size/Qty	Bolt Length	A	B	C	D	E	F	H	Bolt Stud	Nut	Washer	Gasket	Handle
MHD-01	14"	YPG14-OBT16B	none weld	M16/16	50	19"	440	470	14"	10	10	2.5"	ZN	BR		buna	N
MHD-02	14"	YPG14-OSS16F	none weld	M16/16	50	19"	440	470	14"	10	10	2.5"	SS	SS		flax	N
MHD-03	14"	YPG14-OSS16B	none weld	M16/16	50	19"	440	470	14"	10	10	2.5"	SS	SS		buna	N
MHD-04	14"	YPG14-OSS16B-4	none weld	M16/16	50	19"	440	470	14"	10	10	4"	SS	SS		buna	N
MHD-05	18"	YPG18-OBT16B	none weld	M16/16	50	23"	540	18	23"	10	10	2.5"	ZN	BR		buna	N
MHD-06	18"	YPG18-OSS16F	none weld	M16/16	50	23"	540	18	23"	10	10	2.5"	SS	SS		flax	N
MHD-07	18"	YPG18-OSS16	none weld	M16/16	50	23"	540	18	23"	10	10	2.5"	SS	SS		none	N
MHD-08	18"	YPG18-OSS16F-4	none weld	M16/16	50	23"	540	18	23"	10	10	9"	SS	SS		flax	N

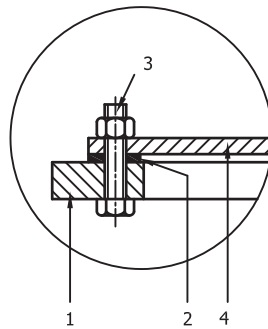
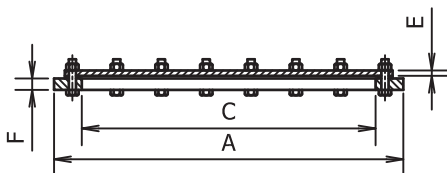
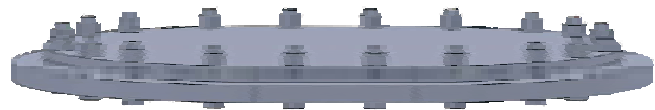
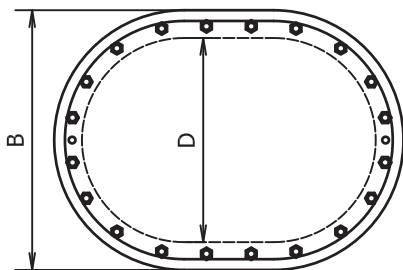
Multi-bolt Manhole, Oval, Abreast Hexagon Head Screws



4	Cover	Steel
3	Bolt	See Matlrx
2	Seal	Nitril
1	Deck Ring	Steel
Pos.	Description	Material

TYPE	Size	Drawing	Bolt Type	Bolt Size/Qty	Bolt Length	A	B	C	D	E	F	H	Bolt Stud	Nut	Washer	Gasket	Handle
MHE-01	620*420	TPL6242-00S20N	none-weld	M20/20	30	720	520	620	420	12	20		SS			nitril	N

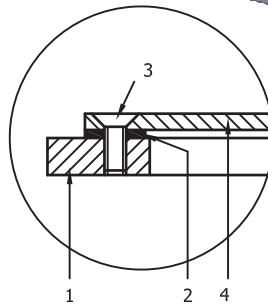
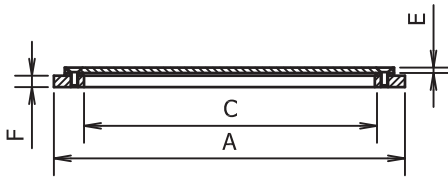
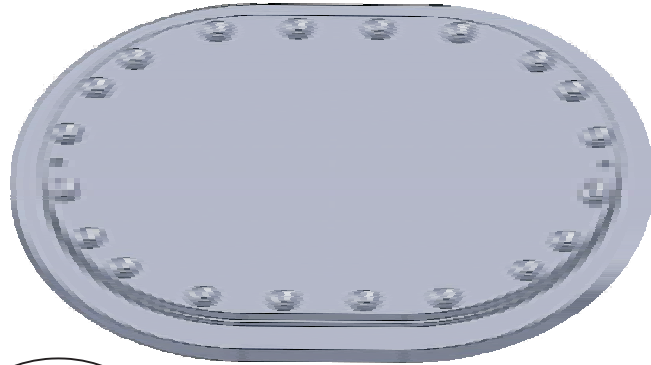
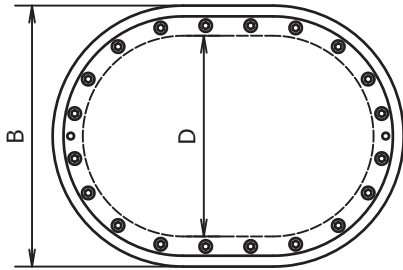
Multi-bolt Manhole, Flush, Thru Bolted, Oval



4	Cover	Steel
3	Bolt	See Matlrx
2	Gasket	Buna
1	Deck Ring	Steel
Pos.	Description	Material

TYPE	Size	Drawing	Bolt Type	Bolt Size/Qty	Bolt Length	A	B	C	D	E	F	H	Bolt Stud	Nut	Washer	Gasket	Handle
MHF-01	15**23"	TWL15*23BSZ20B	weld bolt	M16/20	55	29"	21"	23"	15"	10	10	2.5"	ZN	SS	BR	buna	Y
MHF-02	15**23"	TWL15*23BBS20B	weld bolt	M16/20	55	29"	21"	23"	15"	10	10	2.5"	SS	BR	BR	buna	Y
MHF-03	18**24"	TWL18*24-BZZ24B	weld bolt	M16/24	55	30"	24"	24"	18"	10	10	2.5"	ZN	ZN	BR	buna	Y

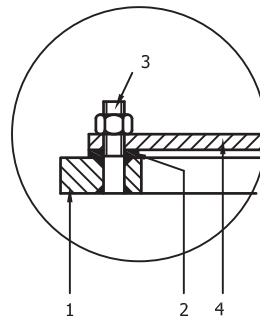
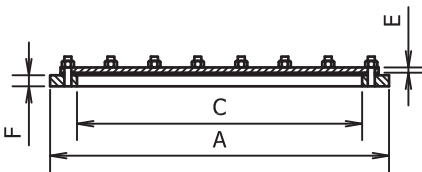
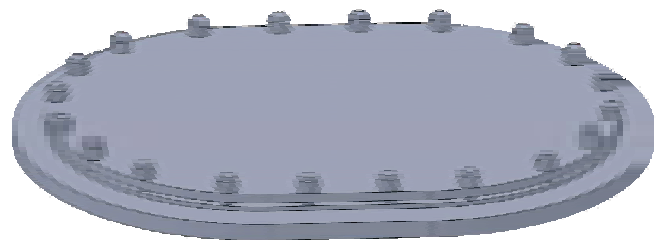
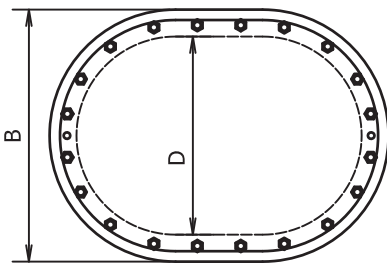
Multi-bolt Manhole, Flush, Socket Head Flush Screw, Oval



4	Cover	Steel
3	Bolt	See Matirx
2	Gasket	Buna
1	Deck Ring	Steel
Pos.	Description	Material

TYPE	Size	Drawing	Bolt Type	Bolt Size/Qty	Bolt Length	A	B	C	D	E	F	H	Bolt Stud	Nut	Washer	Gasket	Handle
MHG-01	15"*23"	TWC15*23-00S20B	flush screw	M14/20	25	29"	21"	23"	15"	10	20		SS			buna	N
MHG-02	15"*23"	TWC15*23-00S26B	flush screw	M16/26	30	29"	22"	30"	15"	14	30		SS			buna	N

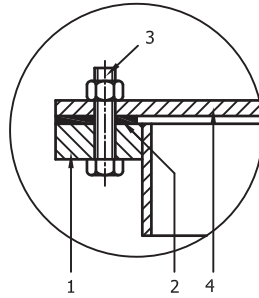
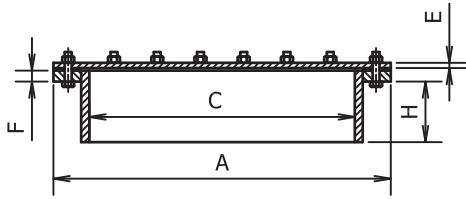
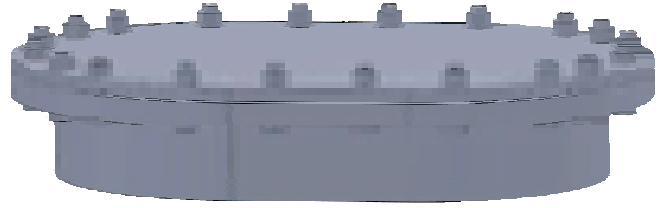
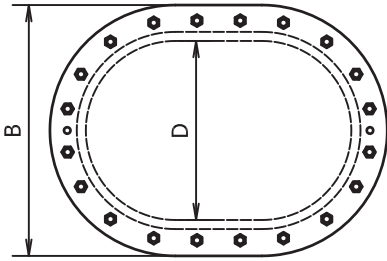
Multi-bolt Manhole, Flus, Stud Welded, Oval



4	Cover	Steel
3	Bolt	See Matirx
2	Gasket	Buna
1	Deck Ring	Steel
Pos.	Description	Material

TYPE	Size	Drawing	Bolt Type	Bolt Size/Qty	Bolt Length	A	B	C	D	E	F	H	Bolt Stud	Nut	Washer	Gasket	Handle
MHH-01	15"*23"	TWH15*23-SBS20B	stud weld	M20/20	55	29"	21"	23"	15"	10	20		SS	BR	SS	buna	N

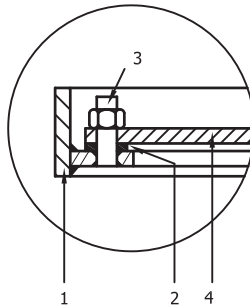
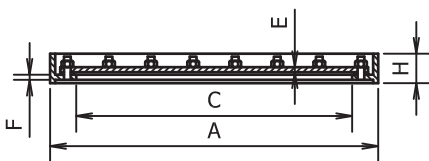
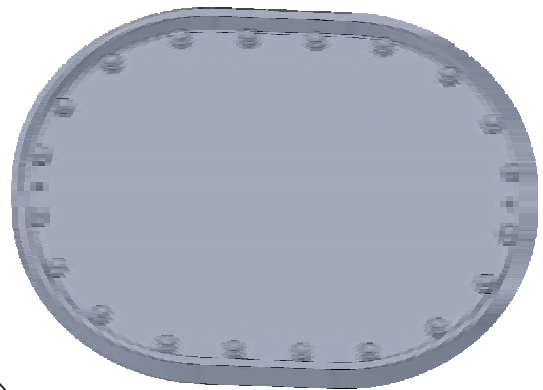
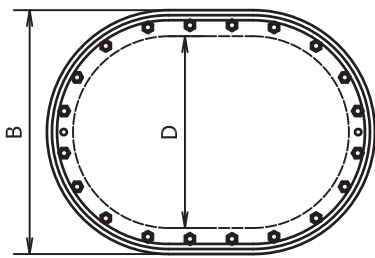
Multi-bolt Manhole, Raised, Thru Bolted, Oval



4	Cover	Steel
3	Bolt	See Matrix
2	Gasket	Buna
1	Deck Ring	Steel
Pos.	Description	Material

TYPE	Size	Drawing	Bolt Type	Bolt Size/Qty	Bolt Length	A	B	C	D	E	F	H	Bolt Stud	Nut	Washer	Gasket	Handle
MHI-01	15"*23"	TPL15*23-BSZ20B-2.5	none-weld	M16/20	45	28"	20"	23"	15"	10	10	2.5	ZN	SS	BR	buna	N
MHI-02	15"*23"	TPL15*23-BBS20B-4	none-weld	M16/20	45	28"	20"	23"	15"	10	10	4	SS	BR	BR	buna	N
MHI-03	18"*24"	TPL18*24-BSZ24B-2.5	none-weld	M16/20	45	29"	23"	24"	18"	10	10	2.5	ZN	SS	BR	buna	N

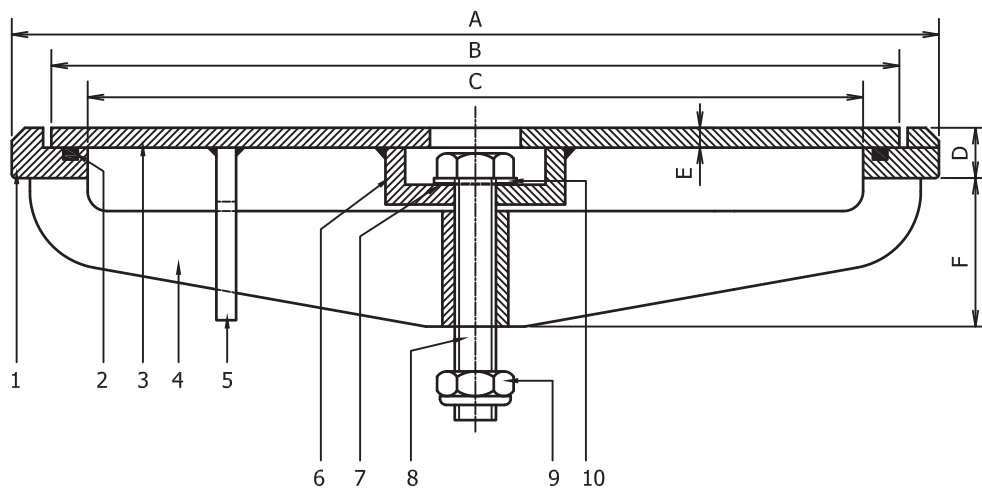
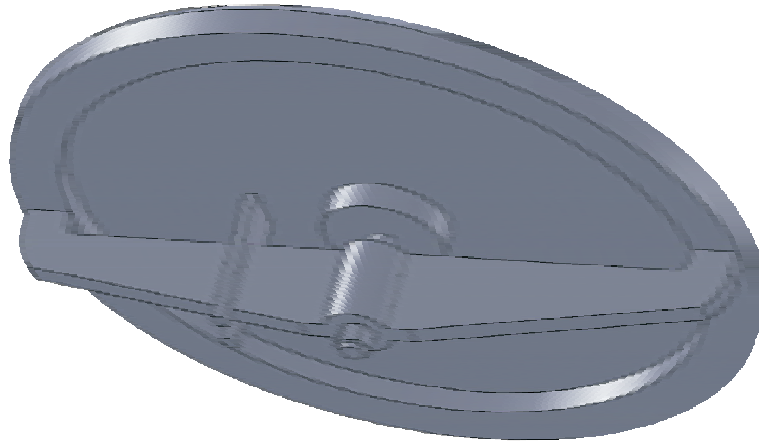
Multi-bolt Manhole, Oval, Blind, Socket Head Flush Screw



4	Cover	Steel
3	Bolt	See Matrix
2	Gasket	Buna
1	Deck Ring	Steel
Pos.	Description	Material

TYPE	Size	Drawing	Bolt Type	Bolt Size/Qty	Bolt Length	A	B	C	D	E	F	H	Bolt Stud	Nut	Washer	Gasket	Handle
MHJ-01	620*420	TDL6242-0SS20N	none-weld	M20/20	60	780	580	620	420	12	20	70	SS	SS		nitril	N

Manhole Central Closed Flush



10	1	Plain washer	Nitril	
9	1	Self locking nut	stainless steel	DIN 985
8	1	Bolt	stainless steel	DIN 933
7	1	Washer	stainless steel	DIN 125A
6	1	Recessed bolt housing	Steel Grade A	
5	1	Bracket	Steel Grade A	
4	1	Lever	Steel Grade A	
3	1		Steel Grade A	
2	1	Seal	Nitril	
1	1			
Pos.	Qty.	Description	Material	Type/Drw.No.

TYPE	Size	Drawing	Bolt Type	Bolt Size/Qty	Bolt Length	A	B	C	D	E	F	H	Bolt Stud	Nut	Washer	Gasket	Handle
MHK-01	470	YZJ470-SSSN	hexagon	M24/1	150	562	514	470	30	12	70		SS	SS	SS	nitril	N
MHK-02	570	YZJ570-SSSN	hexagon	M24/1	150	662	630	570	32	12	75		SS	SS	SS	nitril	N

1. Axe Propeller/
Schraubenmutter Anode



2. Ogive Axe Propeller



3. Anodes For Bolt Mounting



4. Zine Spelter



5. Aluminium Anode



6. Magnesium Anode





We are a professional manufacture of Dock Equipment、 Deck Fittings And Equipment、 Marine Door and Hatches Bollard especially in casting, metal plate, welding which we have many years producing experience. the full inspection equipment provides the material inspection, mechanical property inspection, metallographic examination inspection, paint film thickness test in our factory.

The products could provide the certification of China Classification society (C.C.S). If the customer requests to provide other authentication, such as A.B.S, L.R, D.N.V can also assist with.



Manufacturing Facility

tensile testing machine

analytical balance

Impact Test

paint density meter



chemistry analyzer

tapping analysis.

chemistry analyzer

Rockwell hardness

metallographic test

Spectrometer purchased





Kind Casting-forge Co., LTD

Tel: 86-571-82833571 Fax: 86-571-82873444
E-mail: sales@kindcasting-forge.com
info@kindcasting-forge.com